

# Products + Tools 2022

# Table of Contents.

About us	4
<b>Our Products</b>	<b>10</b>
PATCHBOX®	12
Setup.exe	28
/dev/mount	34
Rack Planner	40
<b>Product Index</b>	<b>42</b>

# About us.

PATCHBOX was founded in 2015 with the strong dedication to **optimize network racks and workflows**. Our revolutionary products take the IT sector by storm. From our **headquarters in Vienna** we are targeted to maximize the value that PATCHBOX can add to customers.



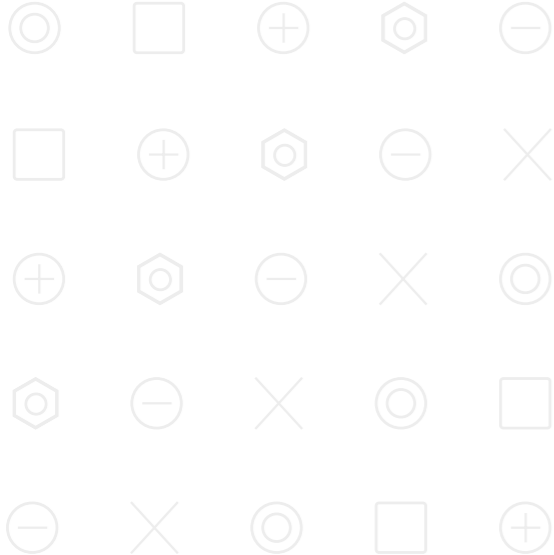


# Awarded. Patented. Unique.





**Trusted by  
global brands  
from every  
industry.**

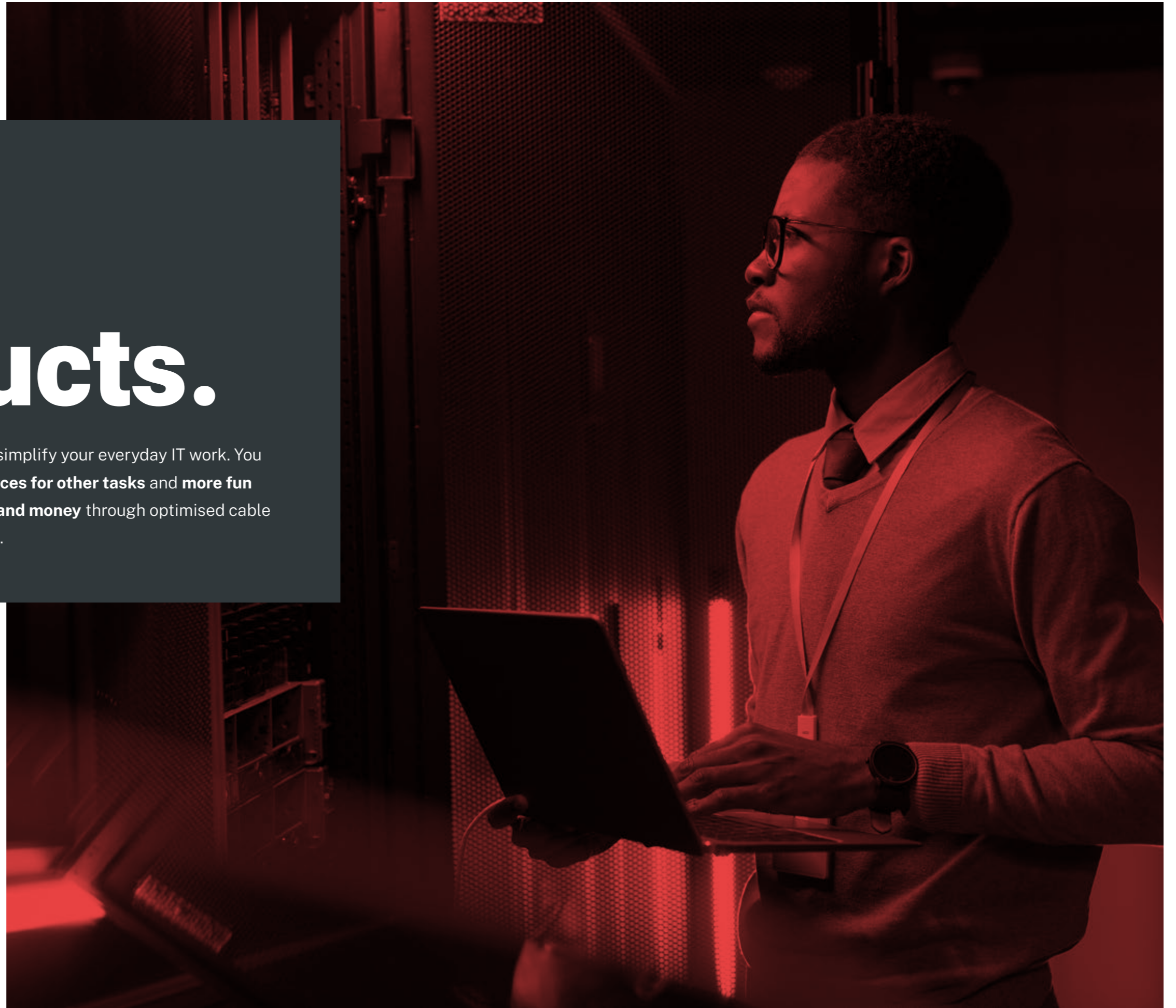






# Our Products.

We develop **revolutionary tools** to simplify your everyday IT work. You **solve problems faster**, have **resources for other tasks** and **more fun at work**. Your company **saves time and money** through optimised cable management thanks to PATCHBOX.





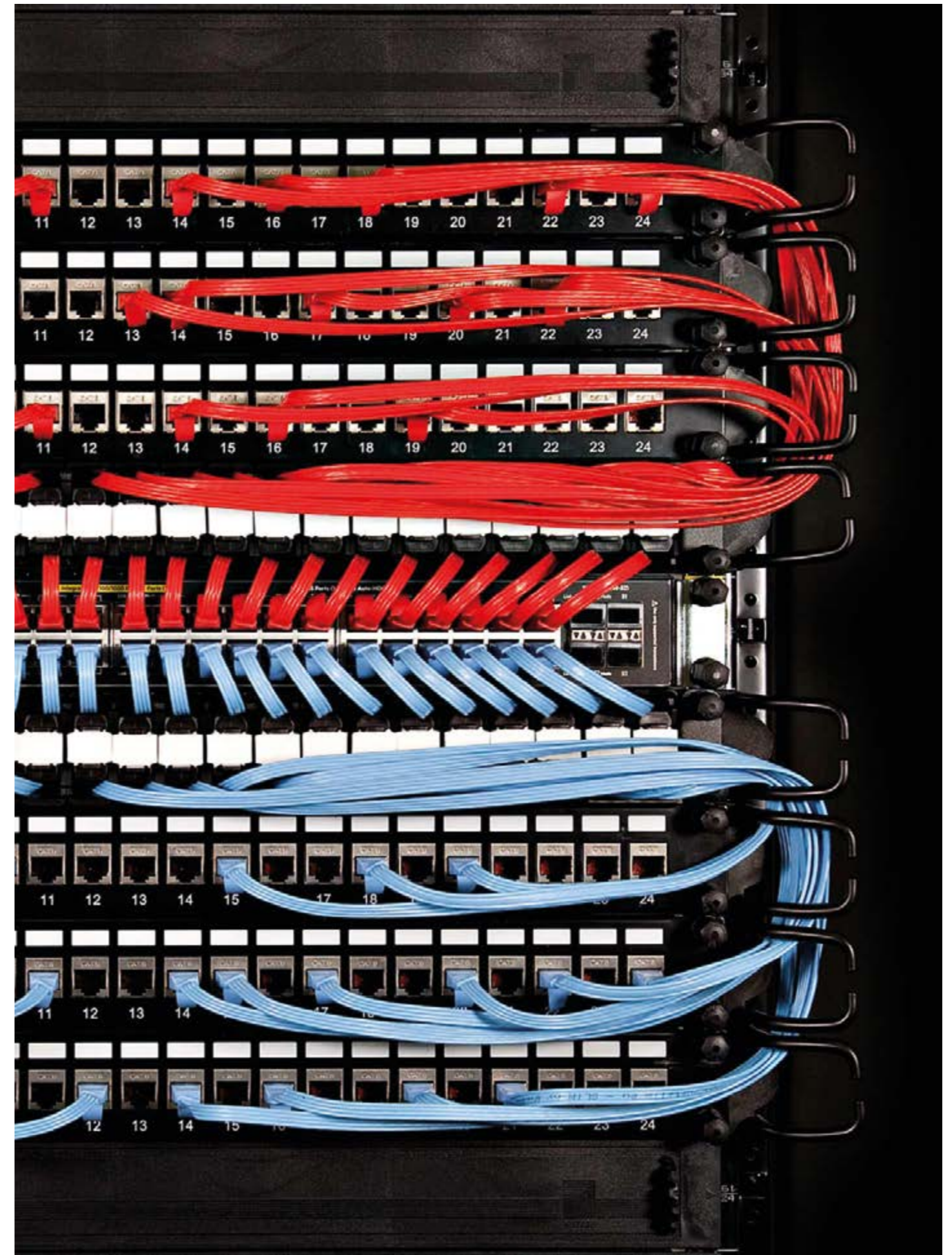
# It's a perfect patch.

The PATCHBOX® is the most modern **cabling system for network cabinets** and makes conventional cable guides and patch cables simply look old. **Thousands of satisfied customers** worldwide rely on this patented innovation to make their IT more **efficient, faster and more economical.**



See the PATCHBOX® in action.

Scan the QR code or visit  
[patchbox.com/patchbox](https://patchbox.com/patchbox)







# Modular cassette system.

The PATCHBOX® Cassettes contain **flat shielded or unshielded Cat.6a (STP/UTP) or fiber optic (OS2/OM4) cables**. We have 3 different cable lengths: 0.8m (8RU), 1.8m (30RU) and for the rare event you need to patch from top to bottom we offer a special solution called the “PATCHBOX® Long Range Cassette” with a max. cable length of 2.5m (46RU).

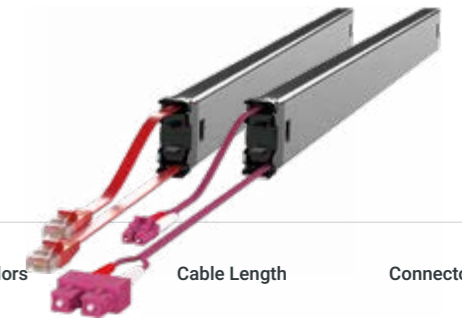
## Cassettes for PATCHBOX® Plus+ Frame



Name	Cable Type	Cable Colors	Cable Length	Connector
Plus+ Cat.6a Cassette	STP/UTP	Black, Blue, Green, Red, White, Yellow, Grey (STP only), Violet	1.8m / 30RU	RJ45
Plus+ Fiber Optic Cassette	OS2/OM4	Yellow, Erika Violet	1.8m / 30RU	LC-LC LC-SC

**Important:** PATCHBOX® Plus+ Cassettes are not compatible with the PATCHBOX® 365 Frame!

## Long Range Cassettes for PATCHBOX® Plus+ Frame



Name	Cable Type	Cable Colors	Cable Length	Connector
Plus+ Cat.6a Cassette Long Range	STP/UTP	Black, Blue, Green, Red, White, Yellow, Grey (STP only), Violet	1.8m+0.7m / 46RU	RJ45
Plus+ Fiber Optic Cassette Long Range	OS2/OM4	Yellow, Erika Violet	1.8m+0.7m / 46RU	LC-LC LC-SC

**Important:** 2.5m cover 46 RU: 1.8m extractable + 0.7m overlength non-retractable. Need Support? Get in touch with us!

## Cassettes for PATCHBOX® 365 Frame



Name	Cable Type	Cable Colors	Cable Length	Connector
365 Cat.6a Cassette	STP/UTP	Black, Blue, Green, Red, White, Yellow, Grey (STP only), Violet	0.8m / 8RU	RJ45
365 Fiber Optic Cassette	OS2/OM4	Yellow, Erika Violet	0.8m / 8RU	LC-LC LC-SC

**Important:** PATCHBOX® 365 Cassettes are also compatible with the PATCHBOX® Plus+ Frame!

# Flat. Shielded. Tested. Certified.

All patch cables (fiber or copper) are **tested to ISO/IEC 11801 Channel Class Ea standard**. Our Cat.6a cables are flat, twisted pair (of course) because they are **easier to bend, take up less space and are less bulky** to handle. Patch cords for both the PATCHBOX® Plus+ and PATCHBOX® 365 are available in **eight different colors**: black, white, red, green, blue, yellow, grey (STP only) and violet. Order your PATCHBOX® pre-assembled to your specific requirements!





# Glass clear advantages.

Fiber optic cables deliver **significantly more speed** than copper cables.

**10, 40, 100 gigabit – anything is possible.** It is also possible to integrate 23 copper cassettes into one PATCHBOX® Frame and one fiber optic cassette takes over the uplink.

We work with Corning® fibers which currently are the most bend-insensitive available on the market.



#### 04. PATCHCATCH

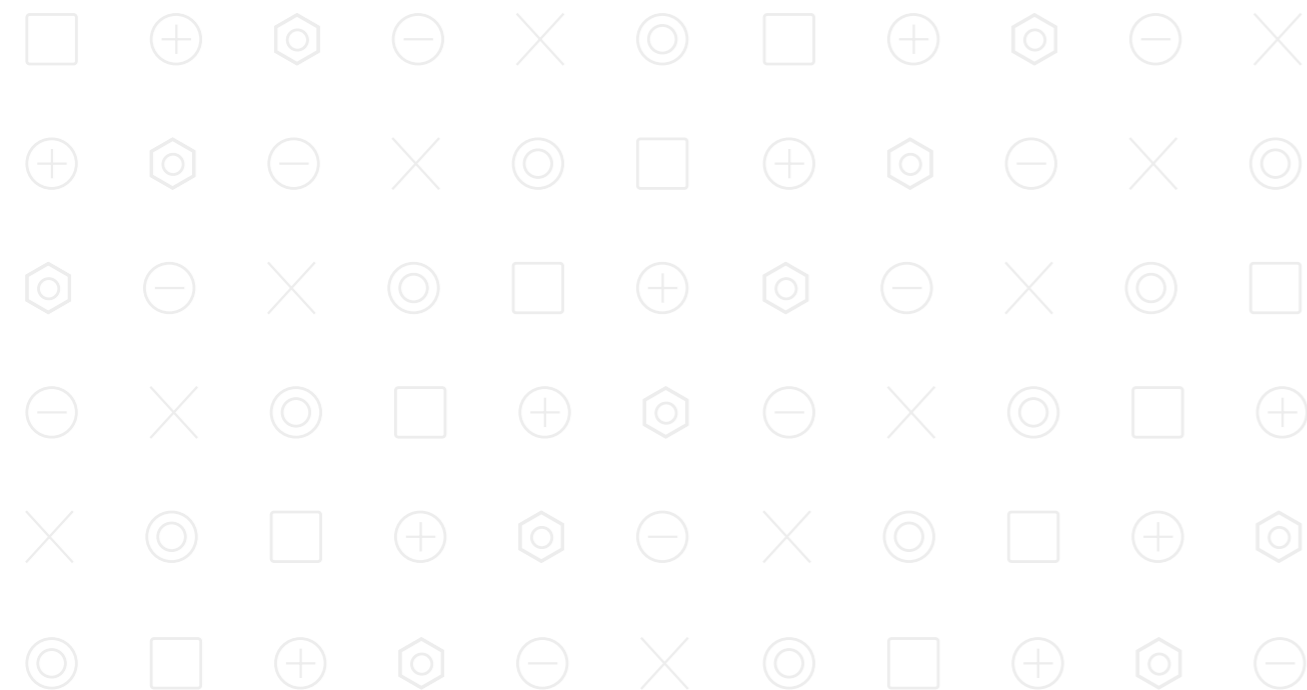
# Catch of the day.

This innovative, **space-saving cable management** is a must-have. Mounted between the 19" rail and the existing patch panels, switches or PATCHBOX® Plus+/PATCHBOX® 365, **it requires no additional cage nuts or rack units**. The PATCHBOX® Patchcatch **routes cables to the side of the cabinet** at the same height they are patched. Confusing crossings and tangled cables are a thing of the past!



# Keeping your Network Rack clean & neat!

Our PATCHBOX® is available pre-assembled. One as PATCHBOX® Plus+ for large network cabinets and one as PATCHBOX® 365 for small wall cabinets.



## PATCHBOX® Plus+

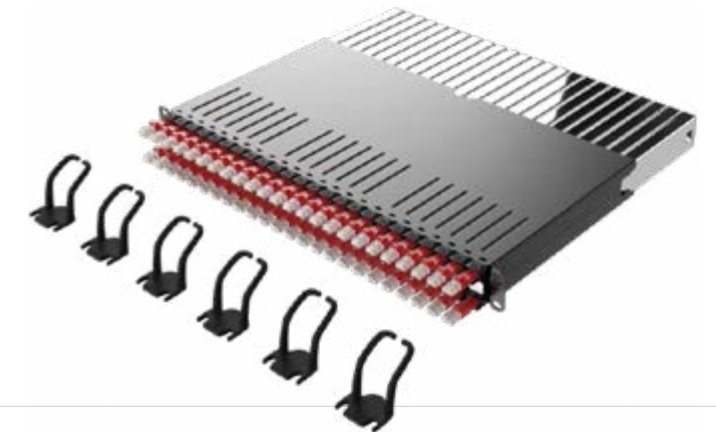
The PATCHBOX® Plus+ will be delivered with 24 Cassettes, a Plus+ Frame, 6x Patchcatch, 2x adjustable mounting rails incl. hex nuts and 96 ID Labels.



Name	Cable Type	Cable Colors	Cable Length	Connector
PATCHBOX® Plus+ Cat.6a	STP/UTP	Black, Blue, Green, Red, White, Yellow, Grey (STP only), Violet	1.8m / 30RU	RJ45
PATCHBOX® Plus+ Fiber Optic	OS2/OM4	Yellow, Erika Violet	1.8m / 30RU	LC-LC LC-SC

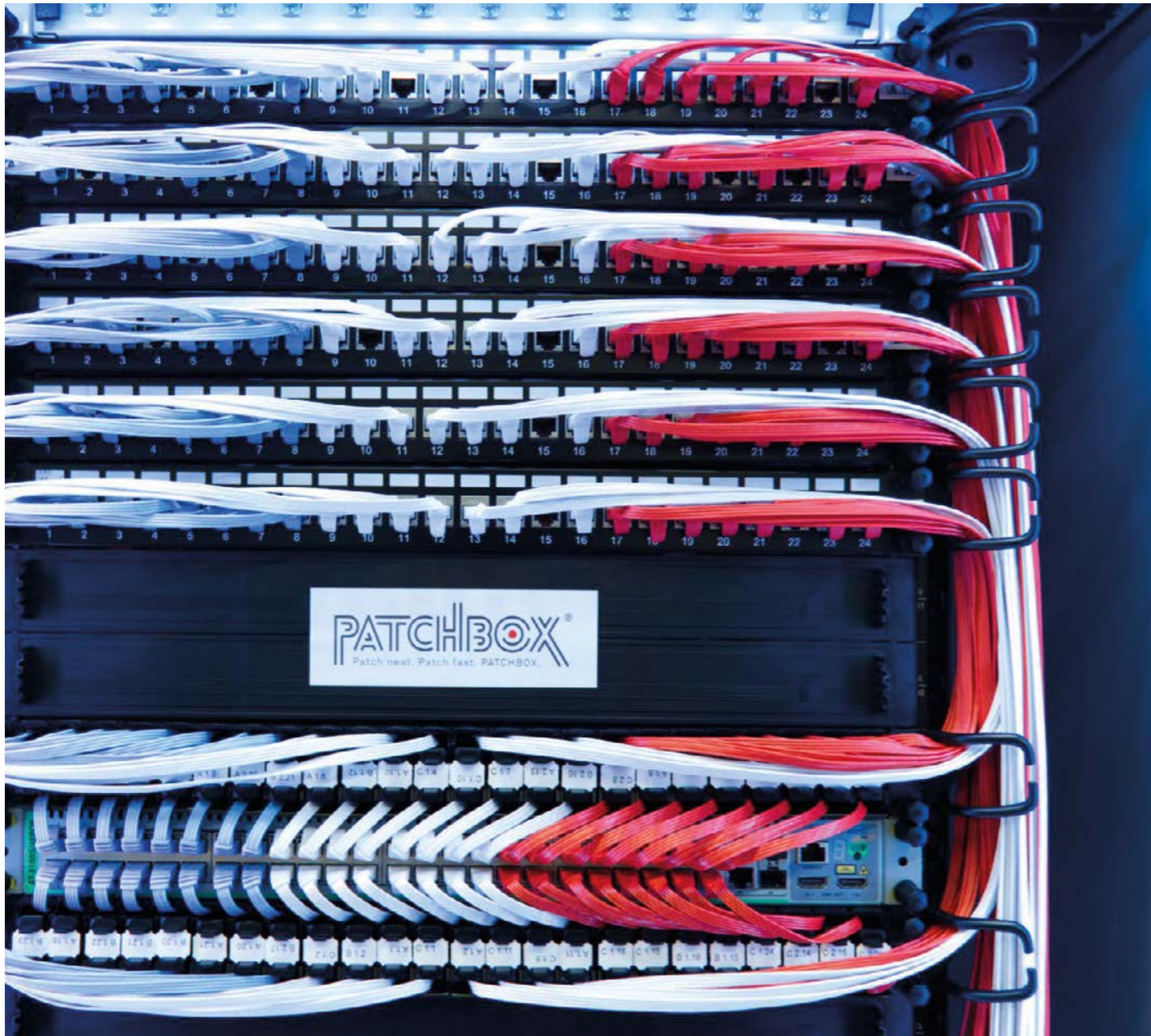
## PATCHBOX® 365

The PATCHBOX® 365 will be delivered with 24 Cassettes, a 365 Frame, 6x Patchcatch and 96 ID Labels.



Name	Cable Type	Cable Colors	Cable Length	Connector
PATCHBOX® 365 Cat.6a	STP/UTP	Black, Blue, Green, Red, White, Yellow, Grey (STP only), Violet	0.8m / 8RU	RJ45





## 06. SIMPLIFIED



### Work Smarter

Installation of the PATCHBOX® including patching of the 24 cables is 8x faster than conventional methods. Typical maintenance work (moves, adds, changes) or switch replacement up to 10x faster.



### Save Precious Rack Space

You don't need horizontal cable managers or any other conventional cable management. This saves up to 50% more space in your network cabinet.



### Better Air Circulation

With the PATCHBOX® you ensure better air circulation in your network rack. Because of that your expensive hardware components will last longer.



### 5 Year Warranty

The PATCHBOX® was developed by network technicians for network technicians. For us, the highest quality standards are just good enough.



# The Setup to getup!

Setup.exe is a simple, but highly effective **installation tool**. It is like a third hand. One technician can do the work of two. **19" components are mounted in seconds** without balancing expensive equipment with one hand. Mounted on the outside, **it also serves as a shelf for a laptop or a diagnostic tool**.



#### Super quick.

The Setup.exe is mounted in seconds and saves you a lot of time.



#### Lifetime warranty.

You will only need one Setup.exe in your lifetime. Trust us.



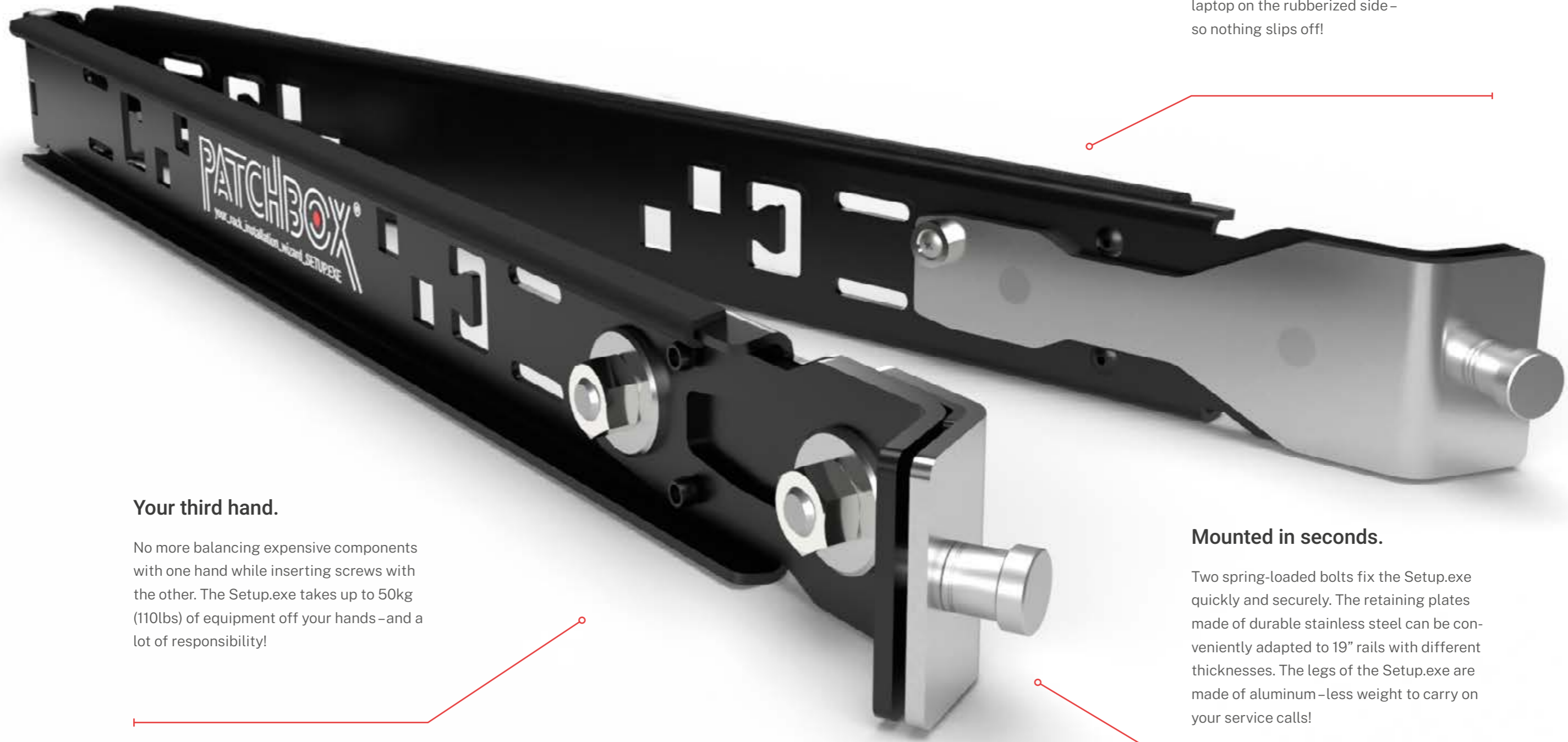
#### Load carrier.

Carries components up to 50 kg (110 lbs) for you.



#### Adaptable.

Suitable for all 19" rails with square punched holes.



**Mobile workstation.**

Configure switches, servers and much more with two hands. The Setup.exe holds your laptop on the rubberized side – so nothing slips off!

**Your third hand.**

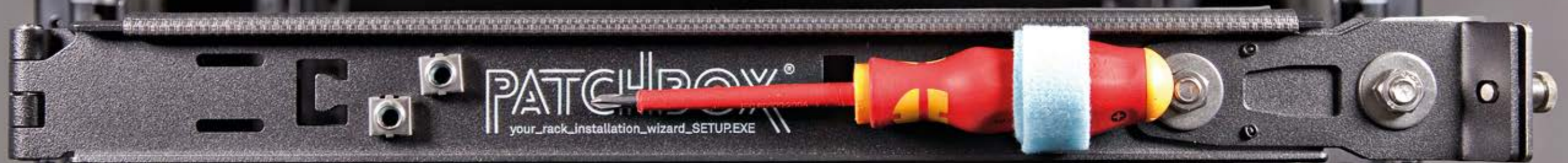
No more balancing expensive components with one hand while inserting screws with the other. The Setup.exe takes up to 50kg (110lbs) of equipment off your hands – and a lot of responsibility!

**Mounted in seconds.**

Two spring-loaded bolts fix the Setup.exe quickly and securely. The retaining plates made of durable stainless steel can be conveniently adapted to 19” rails with different thicknesses. The legs of the Setup.exe are made of aluminum – less weight to carry on your service calls!



# Your Rack Installation Wizard.



PATCHBOX - setup.exe@ patchbox.com  
PATCHBOX - setup.exe@ patent pending  
PATCHBOX - setup.exe@ made in the EU  
PATCHBOX - setup.exe@ refer to manual  
PATCHBOX - setup.exe@ max. load 15kg

PATCHBOX  
your\_rack\_installation\_wizard\_SETUP.EXE

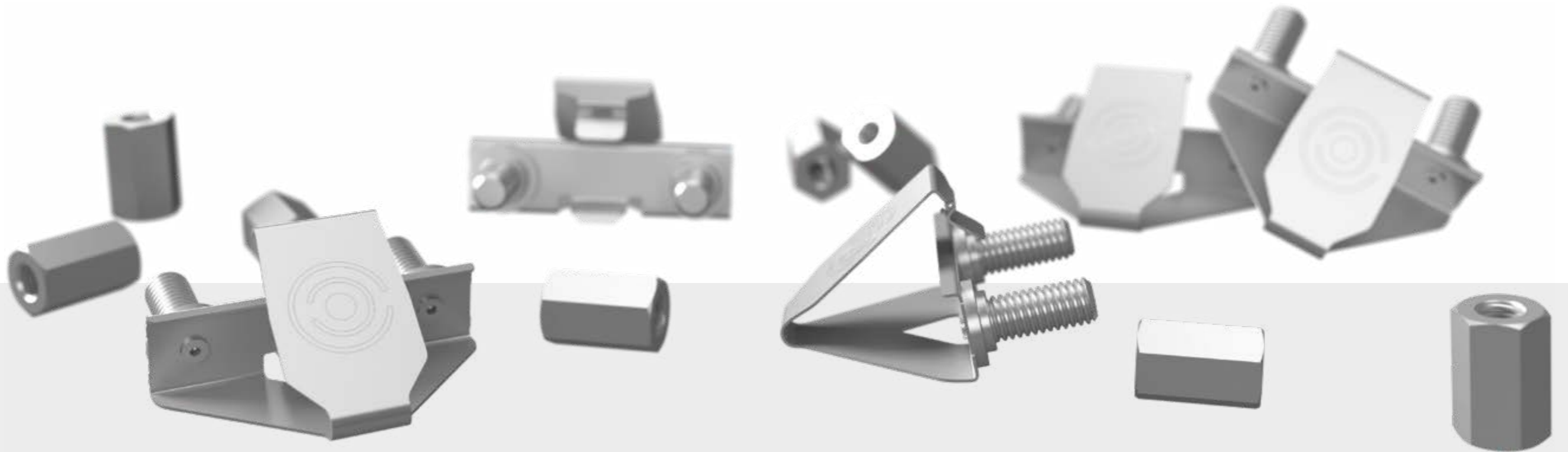


See the Setup.exe in action.

Scan the QR code or visit  
[patchbox.com/setup-exe](http://patchbox.com/setup-exe)

# Goodbye, Cage Nuts!

The /dev/mount makes hardware installation and removal **faster, safer and more convenient**. The snap-in feature allows the /dev/mount to be quickly placed on the 19" rail. The reversible nuts **can be conveniently tightened by hand**. The metal body grounds the components. **Do not use any tools for the installation!**



#### Highest Quality.

High quality spring steel and aluminum.  
Durable. Made in Germany.



#### Compatibility.

Suitable for 19" rails with square punched holes, which can be used to install standard server rails.



#### Toolless.

Hex nuts can be tightened by hand. You don't need any further tools except your fingers.



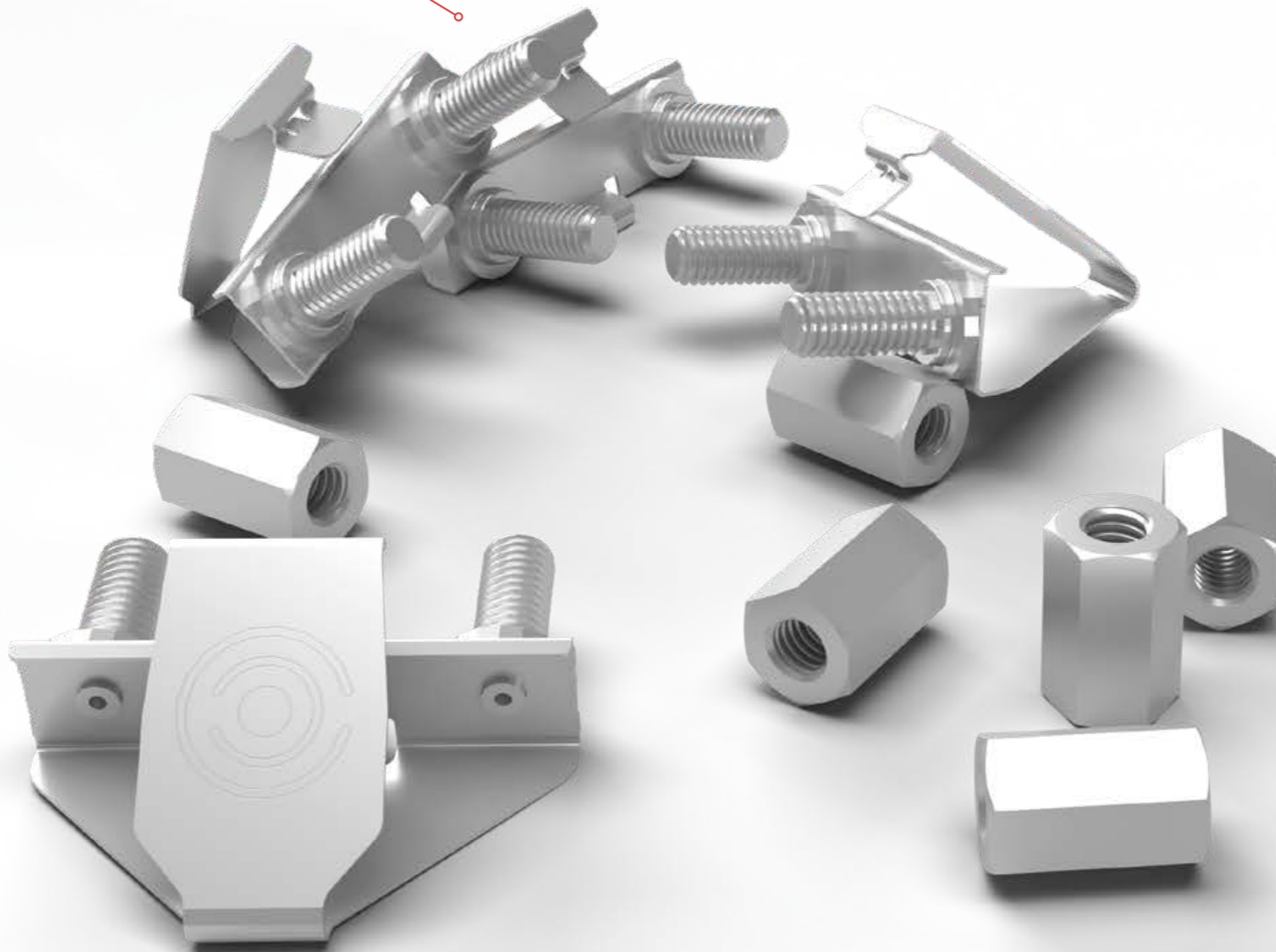
#### That's included.

Includes 50 /dev/mounts and 100 hex nuts (equivalent to 100 cage nuts and bolts for mounting 25x 1RU devices).



## Ready for immediate use.

The /dev/mount is delivered ready to use and does not need to be assembled beforehand. It speeds up and simplifies the installation of hardware in server and network cabinets many times over. In addition, only half as many parts are required compared to conventional cage nuts.



## Easiest handling.

The /dev/mount makes hardware installation and removal faster, safer and more convenient. The snap-in feature allows the /dev/mount to be quickly placed on the 19" rail. The reversible nuts can be conveniently tightened by hand. And the metal body grounds the components.



# Say No to Cage Nuts.



See the `/dev/mount` in action.

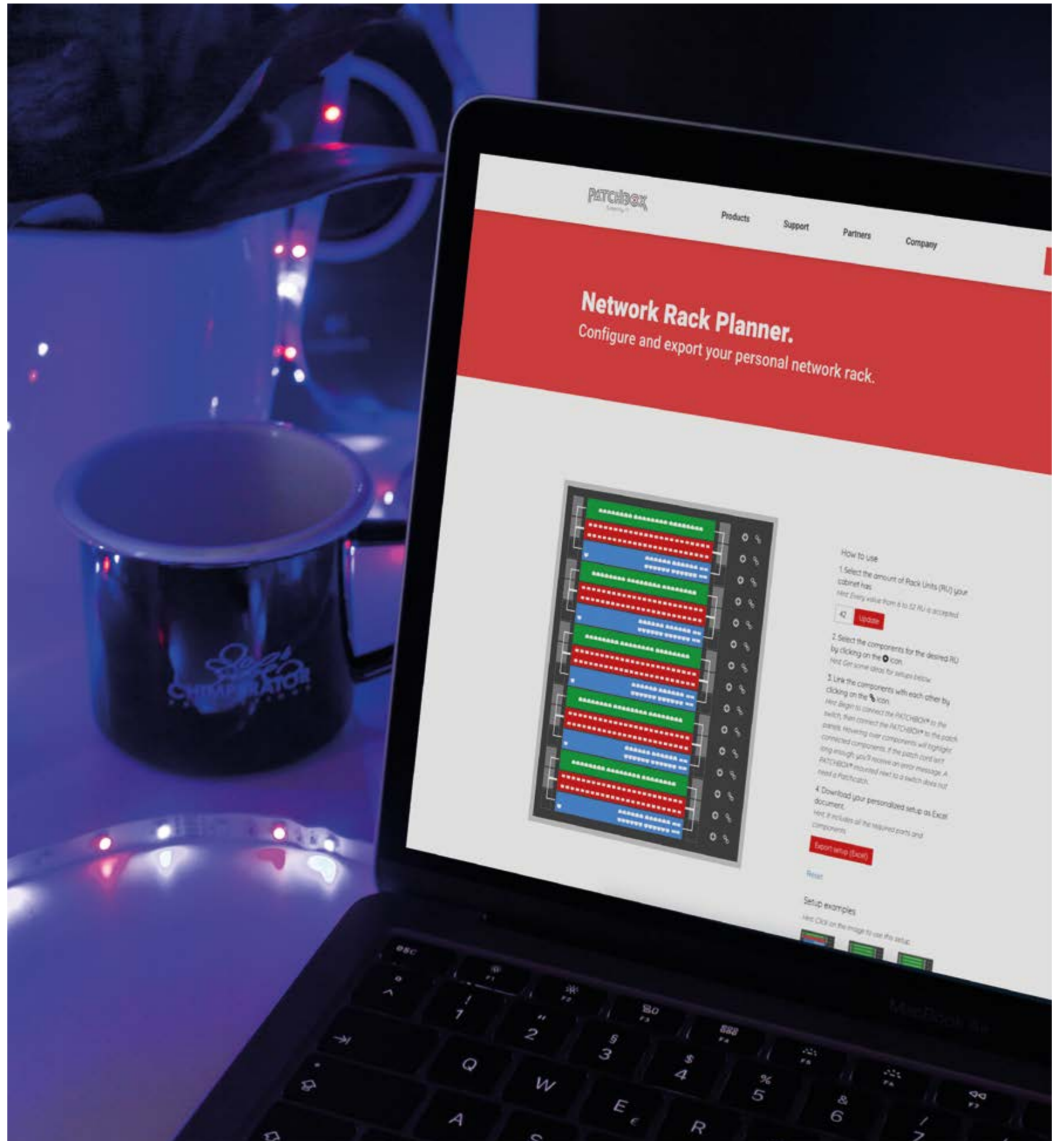
Scan the QR code or visit  
[patchbox.com/dev-mount](https://patchbox.com/dev-mount)



# Your Master Plan.

Configure and export your personal network rack setup in a few minutes. You can either start completely from scratch or just use and edit one of our setup examples. Once you are done with the setup you can **export the result and then off you go shopping.**

P.S.: Don't forget the PATCHBOX® in your setup!



Start planning your Rack now.

Scan the QR code or visit  
[patchbox.com/network-rack-planner](https://patchbox.com/network-rack-planner)

# Product Index

## PATCHBOX® Accessories

	Quantity	Net Weight	Product Code
PATCHBOX® Plus+ Frame	1 piece	3.29kg / 7.25lbs	PBXFRAME
PATCHBOX® 365 Frame	1 piece	2.20kg / 4.85lbs	PBXFRAME365
PATCHBOX® Patchcatch	4 pieces	0.04kg / 0.09lbs	PBCX8K
PATCHBOX® Blind Panel	10 pieces	0.04kg / 0.09lbs	PBXBLIND
PATCHBOX® ID Label	96 pieces	0.02kg / 0.04lbs	IDLABELW

## PATCHBOX® Tools

	Quantity	Net Weight	Product Code
/dev/mount	50 pieces	1.30kg / 2.87lbs	dvmnt50
Setup.exe	1 piece	0.79kg / 1.74lbs	PBXEXE

## PATCHBOX® Cassettes

All patch cables (fiber or copper) are tested to ISO/IEC 11801 Channel Class Ea standard.

### PATCHBOX® 365 Cat.6a Cassette (UTP)

Compatible with: PATCHBOX® 365 Frame | PATCHBOX® Plus+ Frame

Cable Color	Net Weight	Cable Length	Connector	Product Code
Black	0.23kg / 0.51lbs	0.8m / 8RU	RJ45	C36UTPXC6AXX1K
Blue	0.23kg / 0.51lbs	0.8m / 8RU	RJ45	C36UTPXC6AXX1B
Green	0.23kg / 0.51lbs	0.8m / 8RU	RJ45	C36UTPXC6AXX1G
Red	0.23kg / 0.51lbs	0.8m / 8RU	RJ45	C36UTPXC6AXX1R
White	0.23kg / 0.51lbs	0.8m / 8RU	RJ45	C36UTPXC6AXX1W
Yellow	0.23kg / 0.51lbs	0.8m / 8RU	RJ45	C36UTPXC6AXX1Y
Violet	0.23kg / 0.51lbs	0.8m / 8RU	RJ45	C36UTPXC6AXX1V

### PATCHBOX® 365 Cat.6a Cassette (STP)

Compatible with: PATCHBOX® 365 Frame | PATCHBOX® Plus+ Frame

Cable Color	Net Weight	Cable Length	Connector	Product Code
Black	0.23kg / 0.51lbs	0.8m / 8RU	RJ45	C36STPXC6AXX1K
Blue	0.23kg / 0.51lbs	0.8m / 8RU	RJ45	C36STPXC6AXX1B
Green	0.23kg / 0.51lbs	0.8m / 8RU	RJ45	C36STPXC6AXX1G
Red	0.23kg / 0.51lbs	0.8m / 8RU	RJ45	C36STPXC6AXX1R
White	0.23kg / 0.51lbs	0.8m / 8RU	RJ45	C36STPXC6AXX1W
Yellow	0.23kg / 0.51lbs	0.8m / 8RU	RJ45	C36STPXC6AXX1Y
Grey	0.23kg / 0.51lbs	0.8m / 8RU	RJ45	C36STPXC6AXX1GY
Violet	0.23kg / 0.51lbs	0.8m / 8RU	RJ45	C36STPXC6AXX1V



**PATCHBOX® 365 Fiber Optic (OS2)**

Compatible with: PATCHBOX® 365 Frame | PATCHBOX® Plus+ Frame

Cable Color	Net Weight	Cable Length	Connector	Product Code
Yellow	0.23kg / 0.51lbs	0.8m / 8RU	LC-SC	C36SMAOS212X1Y
Yellow	0.23kg / 0.51lbs	0.8m / 8RU	LC-LC	C36SMAOS211X1Y

**PATCHBOX® 365 Fiber Optic (OM4)**

Compatible with: PATCHBOX® 365 Frame | PATCHBOX® Plus+ Frame

Cable Color	Net Weight	Cable Length	Connector	Product Code
Erika Violet	0.23kg / 0.51lbs	0.8m / 8RU	LC-SC	C36MMAOM412X1E
Erika Violet	0.23kg / 0.51lbs	0.8m / 8RU	LC-LC	C36MMAOM411X1E

**PATCHBOX® Plus+ Cat.6a Cassette (UTP)**

Compatible with: PATCHBOX® Plus+ Frame

Cable Color	Net Weight	Cable Length	Connector	Product Code
Black	0.32kg / 0.71lbs	1.8m / 30RU	RJ45	C60UTPXC6AXX1K
Blue	0.32kg / 0.71lbs	1.8m / 30RU	RJ45	C60UTPXC6AXX1B
Green	0.32kg / 0.71lbs	1.8m / 30RU	RJ45	C60UTPXC6AXX1G
Red	0.32kg / 0.71lbs	1.8m / 30RU	RJ45	C60UTPXC6AXX1R
White	0.32kg / 0.71lbs	1.8m / 30RU	RJ45	C60UTPXC6AXX1W
Yellow	0.32kg / 0.71lbs	1.8m / 30RU	RJ45	C60UTPXC6AXX1Y
Violet	0.32kg / 0.71lbs	1.8m / 30RU	RJ45	C60UTPXC6AXX1V

**PATCHBOX® Plus+ Cat.6a Cassette Long Range (UTP)**

Compatible with: PATCHBOX® Plus+ Frame

Cable Color	Net Weight	Cable Length	Connector	Product Code
Black	0.33kg / 0.73lbs	1.8m+0.7m / 46RU	RJ45	C60UTPXC6AX31K
Blue	0.33kg / 0.73lbs	1.8m+0.7m / 46RU	RJ45	C60UTPXC6AX31B
Green	0.33kg / 0.73lbs	1.8m+0.7m / 46RU	RJ45	C60UTPXC6AX31G
Red	0.33kg / 0.73lbs	1.8m+0.7m / 46RU	RJ45	C60UTPXC6AX31R
White	0.33kg / 0.73lbs	1.8m+0.7m / 46RU	RJ45	C60UTPXC6AX31W
Yellow	0.33kg / 0.73lbs	1.8m+0.7m / 46RU	RJ45	C60UTPXC6AX31Y
Violet	0.33kg / 0.73lbs	1.8m+0.7m / 46RU	RJ45	C60UTPXC6AX31V

**PATCHBOX® Plus+ Cat.6a Cassette (STP)**

Compatible with: PATCHBOX® Plus+ Frame

Cable Color	Net Weight	Cable Length	Connector	Product Code
Black	0.32kg / 0.71lbs	1.8m / 30RU	RJ45	C60STPXC6AXX1K
Blue	0.32kg / 0.71lbs	1.8m / 30RU	RJ45	C60STPXC6AXX1B
Green	0.32kg / 0.71lbs	1.8m / 30RU	RJ45	C60STPXC6AXX1G
Red	0.32kg / 0.71lbs	1.8m / 30RU	RJ45	C60STPXC6AXX1R
White	0.32kg / 0.71lbs	1.8m / 30RU	RJ45	C60STPXC6AXX1W
Yellow	0.32kg / 0.71lbs	1.8m / 30RU	RJ45	C60STPXC6AXX1Y
Grey	0.32kg / 0.71lbs	1.8m / 30RU	RJ45	C60STPXC6AX1GY
Violet	0.32kg / 0.71lbs	1.8m / 30RU	RJ45	C60STPXC6AXX1V

**PATCHBOX® Plus+ Cat.6a Cassette Long Range (STP)**

Compatible with: PATCHBOX® Plus+ Frame

Cable Color	Net Weight	Cable Length	Connector	Product Code
Black	0.33kg / 0.73lbs	1.8m+0.7m / 46RU	RJ45	C60STPXC6AX31K
Blue	0.33kg / 0.73lbs	1.8m+0.7m / 46RU	RJ45	C60STPXC6AX31B
Green	0.33kg / 0.73lbs	1.8m+0.7m / 46RU	RJ45	C60STPXC6AX31G
Red	0.33kg / 0.73lbs	1.8m+0.7m / 46RU	RJ45	C60STPXC6AX31R
White	0.33kg / 0.73lbs	1.8m+0.7m / 46RU	RJ45	C60STPXC6AX31W
Yellow	0.33kg / 0.73lbs	1.8m+0.7m / 46RU	RJ45	C60STPXC6AX31Y
Grey	0.33kg / 0.73lbs	1.8m+0.7m / 46RU	RJ45	C60STPXC6A31GY
Violet	0.33kg / 0.73lbs	1.8m+0.7m / 46RU	RJ45	C60STPXC6AX31V

**PATCHBOX® Plus+ Fiber Optic Cassette (OS2)**

Compatible with: PATCHBOX® Plus+ Frame

Cable Color	Net Weight	Cable Length	Connector	Product Code
Yellow	0.32kg / 0.71lbs	1.8m / 30RU	LC-SC	C60SMAOS212X1Y
Yellow	0.32kg / 0.71lbs	1.8m / 30RU	LC-LC	C60SMAOS211X1Y

**PATCHBOX® Plus+ Fiber Optic Long Range Cassette (OS2)**

Compatible with: PATCHBOX® Plus+ Frame

Cable Color	Net Weight	Cable Length	Connector	Product Code
Yellow	0.33kg / 0.73lbs	1.8m+0.7m / 46RU	LC-SC	C60SMAOS21231Y
Yellow	0.33kg / 0.73lbs	1.8m+0.7m / 46RU	LC-LC	C60SMAOS21131Y

**PATCHBOX® Plus+ Fiber Optic Cassette (OM4)**

Compatible with: PATCHBOX® Plus+ Frame

Cable Color	Net Weight	Cable Length	Connector	Product Code
Erika Violet	0.32kg / 0.71lbs	1.8m / 30RU	LC-SC	C60MMAOM412X1E
Erika Violet	0.32kg / 0.71lbs	1.8m / 30RU	LC-LC	C60MMAOM411X1E

**PATCHBOX® Plus+ Fiber Optic Long Range Cassette (OM4)**

Compatible with: PATCHBOX® Plus+ Frame

Cable Color	Net Weight	Cable Length	Connector	Product Code
Erika Violet	0.33kg / 0.73lbs	1.8m+0.7m / 46RU	LC-SC	C60MMAOM41231E
Erika Violet	0.33kg / 0.73lbs	1.8m+0.7m / 46RU	LC-LC	C60MMAOM41131E



# PATCHBOX®

The PATCHBOX® already comes assembled in a Frame. Select between Cat.6a cables (STP/UTP) or fiber optic (OS2/OM4).

## PATCHBOX® 365 Cat.6a (UTP)

Cable Color	Net Weight	Cable Length	Connector	Product Code
Black	7.72kg / 17.02lbs	0.8m / 8RU	RJ45	P36UTPXC6AX24K
Blue	7.72kg / 17.02lbs	0.8m / 8RU	RJ45	P36UTPXC6AX24B
Green	7.72kg / 17.02lbs	0.8m / 8RU	RJ45	P36UTPXC6AX24G
Red	7.72kg / 17.02lbs	0.8m / 8RU	RJ45	P36UTPXC6AX24R
White	7.72kg / 17.02lbs	0.8m / 8RU	RJ45	P36UTPXC6AX24W
Yellow	7.72kg / 17.02lbs	0.8m / 8RU	RJ45	P36UTPXC6AX24Y
Violet	7.72kg / 17.02lbs	0.8m / 8RU	RJ45	P36UTPXC6AX24V

## PATCHBOX® 365 Cat.6a (STP)

Cable Color	Net Weight	Cable Length	Connector	Product Code
Black	7.72kg / 17.02lbs	0.8m / 8RU	RJ45	P36STPXC6AX24K
Blue	7.72kg / 17.02lbs	0.8m / 8RU	RJ45	P36STPXC6AX24B
Green	7.72kg / 17.02lbs	0.8m / 8RU	RJ45	P36STPXC6AX24G
Red	7.72kg / 17.02lbs	0.8m / 8RU	RJ45	P36STPXC6AX24R
White	7.72kg / 17.02lbs	0.8m / 8RU	RJ45	P36STPXC6AX24W
Yellow	7.72kg / 17.02lbs	0.8m / 8RU	RJ45	P36STPXC6AX24Y
Grey	7.72kg / 17.02lbs	0.8m / 8RU	RJ45	P36STPXC6A24GY
Violet	7.72kg / 17.02lbs	0.8m / 8RU	RJ45	P36STPXC6AX24V

## PATCHBOX® Plus+ Cat.6a (UTP)

Cable Color	Net Weight	Cable Length	Connector	Product Code
Black	10.97kg / 24.18lbs	1.8m / 30RU	RJ45	P60UTPXC6AX24K
Blue	10.97kg / 24.18lbs	1.8m / 30RU	RJ45	P60UTPXC6AX24B
Green	10.97kg / 24.18lbs	1.8m / 30RU	RJ45	P60UTPXC6AX24G
Red	10.97kg / 24.18lbs	1.8m / 30RU	RJ45	P60UTPXC6AX24R
White	10.97kg / 24.18lbs	1.8m / 30RU	RJ45	P60UTPXC6AX24W
Yellow	10.97kg / 24.18lbs	1.8m / 30RU	RJ45	P60UTPXC6AX24Y
Violet	10.97kg / 24.18lbs	1.8m / 30RU	RJ45	P60UTPXC6AX24V

## PATCHBOX® Plus+ Cat.6a (STP)

Cable Color	Net Weight	Cable Length	Connector	Product Code
Black	10.97kg / 24.18lbs	1.8m / 30RU	RJ45	P60STPXC6AX24K
Blue	10.97kg / 24.18lbs	1.8m / 30RU	RJ45	P60STPXC6AX24B
Green	10.97kg / 24.18lbs	1.8m / 30RU	RJ45	P60STPXC6AX24G
Red	10.97kg / 24.18lbs	1.8m / 30RU	RJ45	P60STPXC6AX24R
White	10.97kg / 24.18lbs	1.8m / 30RU	RJ45	P60STPXC6AX24W
Yellow	10.97kg / 24.18lbs	1.8m / 30RU	RJ45	P60STPXC6AX24Y
Grey	10.97kg / 24.18lbs	1.8m / 30RU	RJ45	P60STPXC6A24GY
Violet	10.97kg / 24.18lbs	1.8m / 30RU	RJ45	P60STPXC6AX24V

**PATCHBOX® Plus+ Fiber Optic (OS2)**

Cable Color	Net Weight	Cable Length	Connector	Product Code
Yellow	10.97kg / 24.18lbs	1.8m / 30RU	LC-SC	P60SMAOS21224Y
Yellow	10.97kg / 24.18lbs	1.8m / 30RU	LC-LC	P60SMAOS21124Y

**PATCHBOX® Plus+ Fiber Optic (OM4)**

Cable Color	Net Weight	Cable Length	Connector	Product Code
Erika Violet	10.97kg / 24.18lbs	1.8m / 30RU	LC-SC	P60MMAOM41224E
Erika Violet	10.97kg / 24.18lbs	1.8m / 30RU	LC-LC	P60MMAOM41124E



PATCHBOX GmbH  
Hernalser Gürtel 1/12  
1170 Vienna / Austria

[sales@patchbox.com](mailto:sales@patchbox.com)  
+43 1 99 71 960  
[www.patchbox.com](http://www.patchbox.com)

